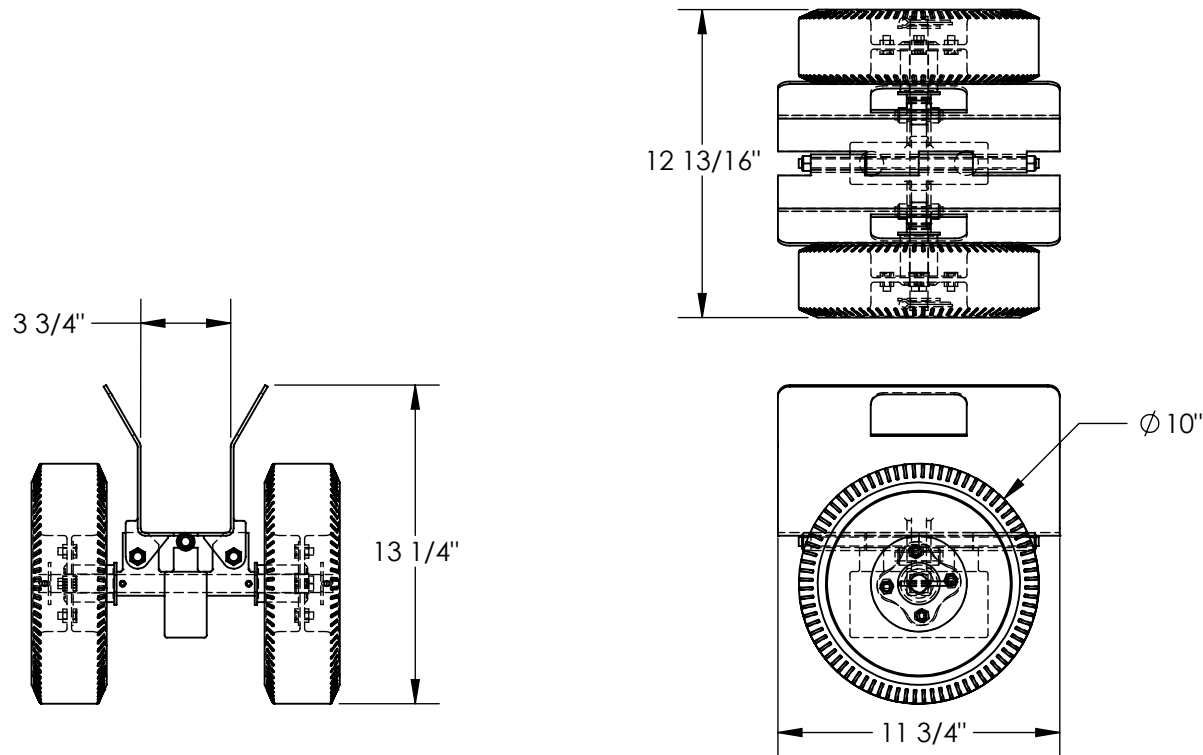


HEAVY DUTY SLAB DOLLY - PLDL-HD-4-10FF

APPROX WEIGHT: 35.57 lbs.
DOES NOT INCLUDE WEIGHT OF POWER OR PACKAGING!!!

*** ANY ADDITIONS, DELETIONS, OR OMISSIONS MUST BE CORRECTED ON THIS DRAWING AS THIS DRAWING WILL BE CONSIDERED ALL INCLUSIVE ***

ALL GRAPHICS PROVIDED ARE FOR REFERENCE ONLY. IF CERTAIN DIMENSIONS ARE CRITICAL PLEASE VERIFY THOSE DIMENSIONS WITH YOUR SALESPERSON



DIMENSION TOLERANCE $\pm 1/4$ "

STANDARD FEATURES

- MODEL NUMBER IS PLDL-HD-4-10FF
- CAPACITY IS: 500 LBS.
- OVERALL WIDTH IS: 12 13/16"
- MAX. USABLE WIDTH IS 3 3/4"
- OVERALL LENGTH IS: 11 3/4"
- OVERALL HEIGHT IS: 13 1/4"
- DOLLY AUTOMATICALLY CLAMPS WHEN WEIGHT IS APPLIED
- STRAP (NOT INCLUDED) CAN BE HOOKED TO HAND SLOTS
- USES TWO 10" FOAM-FILLED WHEELS
- TOUGH BAKED IN POWDER COAT BLUE FINISH

SPECIAL FEATURES

NONE

| | | |
|---|--|--|
| APPROVAL | I, THE UNDERSIGNED, AGREE THAT THE PRODUCT AS REPRESENTED SATISFIES DESIGN AND DIMENSION REQUIREMENTS. I ALSO ACKNOWLEDGE MY DUTY TO CONFIRM PRODUCT AND INSTALLATION COMPLIANCE WITH ALL APPLICABLE FEDERAL, STATE AND LOCAL REGULATIONS AND STANDARDS. | |
| | UNITS REQUIRING APPROVAL DRAWINGS OR MODIFIED ARE NON-RETURNABLE | |
| | [] As drawn [] As marked | |
| | Signed: _____ Date: _____ | |
| | Printed Name: _____ | |
| LEAD TIME WILL START UPON RECEIPT OF SIGNED APPROVAL DRAWING | | |

| | | |
|----------------------|---------|----------------|
| DISTRIBUTOR'S NAME: | | P.O.# |
| VESTIL MANUFACTURING | | X |
| DRAWN BY: TAL | | DATE: 9/4/2020 |
| REFERENCE: X | | SCALE: 1:8 |
| QUOTED LEAD TIME: X | QUOTE # | FILE NAME: |
| | X | 16-007-514-003 |